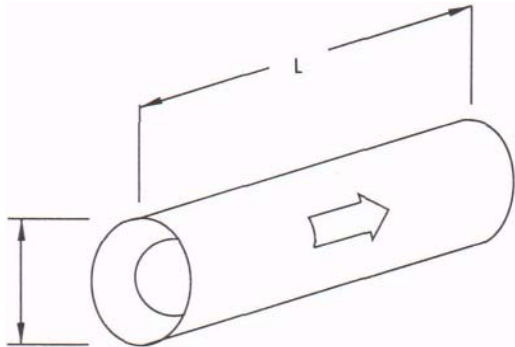


## Spec Data Sheet

## Acoustical Silencers Circular Series



### MODEL SS CIRCULAR NOMENCLATURE EXAMPLE

DIAMETER	LENGTH	MODEL
24 Ø	48	SS - HP

IES -2000's sound attenuators are engineered to achieve a maximum insertion loss with a minimum pressure drop. IES -2000's sound attenuators feature airfoil design for efficient aerodynamic performance, as well as superior acoustical materials and total galvanized steel construction, guaranteeing excellent reliability and performance.

MODEL NO.	OCTAVE BANDS	(1)	(2)	(3)	(4)	(5)	(6)	(7)	(8)
	CENTER FREQUENCY (Hz)	63	125	250	500	1000	2000	4000	8000
	FACE VELOCITY FPM	DYNAMIC INSERTION LOSS IN DECIBELS							
SS-HP	-4000	5	11	16	23	22	17	11	11
	-2000	5	10	15	22	21	18	12	12
	0	6	11	15	21	20	17	12	11
	+2000	5	10	13	19	21	19	12	11
	+4000	3	9	14	18	20	19	12	12
SS-LP	-4000	4	8	13	15	16	11	9	8
	-2000	2	7	11	14	15	11	9	8
	0	3	6	11	14	15	12	10	9
	+2000	2	5	10	13	14	11	9	8
	+4000	2	5	10	13	14	11	9	8

THIS TABLE CONTAINS BOTH FORWARD (+) AND REVERSE (-) FLOW ACOUSTIC AND AERODYNAMIC RATINGS BASED ON TEST RESULTS MEASURED IN ACCORDANCE WITH ASTM E477. COPIES OF THESE TEST REPORTS CAN BE FURNISHED UPON REQUEST

**INPLANT ENVIRO-SYSTEMS 2000, INC.**

105 W. Lynn Street, PO Box 770, St Paris, Ohio 43072  
Phone: (877)248-8640- Fax : (937)663-0678